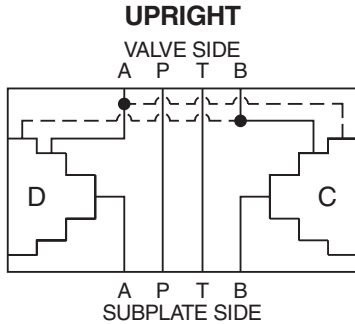


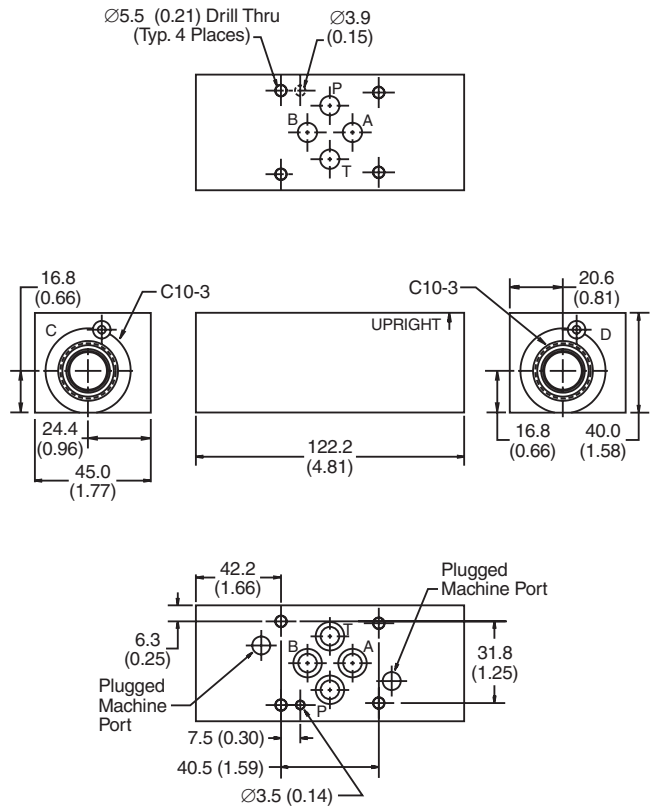
General Description

Dual (Ports A and B) Drain to Crossover Port D03 Cartpak Body. For additional information see Technical Tips on pages CB1-CB3.

Body Schematic



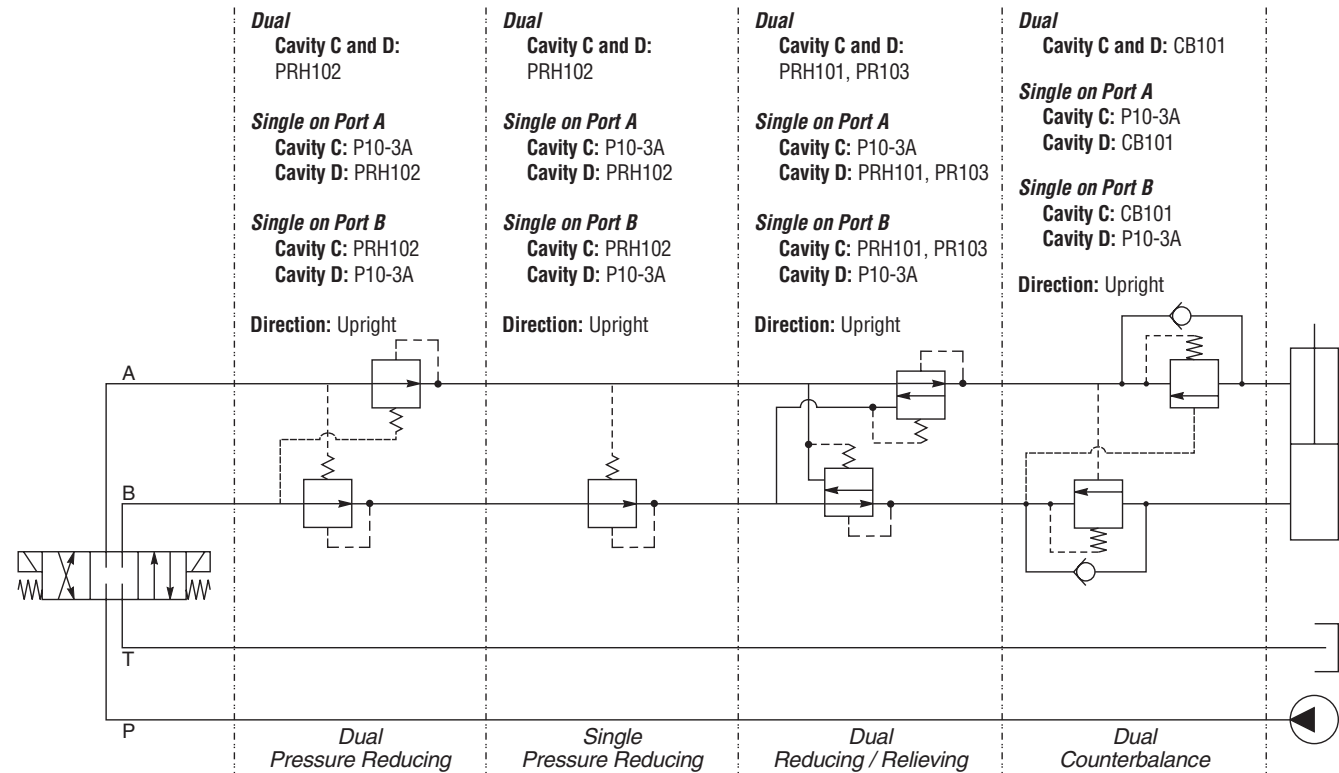
Dimensions Millimeters (Inches)



Ordering Information

BD03	—	DDX	—		—	
D03 Cartpak Body		Dual (Ports A & B) Drain to Crossover		Plug Seals		Body Material
Code	Plug Seals	Code	Body Material			
Omit	Nitrile	A	Aluminum			
		S	Steel (Ductile Iron)			

Body supplied with:
 • O-Rings and Drive Pin



CV
Check Valves

SH
Shuttle Valves

LM
Load/Motor Controls

FC
Flow Controls

PC
Pressure Controls

LE
Logic Elements

DC
Directional Controls

MV
Manual Valves

SV
Solenoid Valves

PV
Proportional Valves

CE
Coils & Electronics

CB
Cartpak Bodies

BC
Bodies & Cavities

TD
Technical Data